

20.0 C technical data sheet



OmniMount, an innovator of A/V mounts and furniture for more than a quarter century, is the choice of professional installers and the brand most recommended by flat panel manufacturers. The Stainless Steel Series is our patented top-of-the-line speaker mounting solution which combines quality, durability and ease-of-installation. The 20.0 C is the proven choice for mounting bookshelf speakers up to 20 lbs (9.1 kg) on a ceiling.

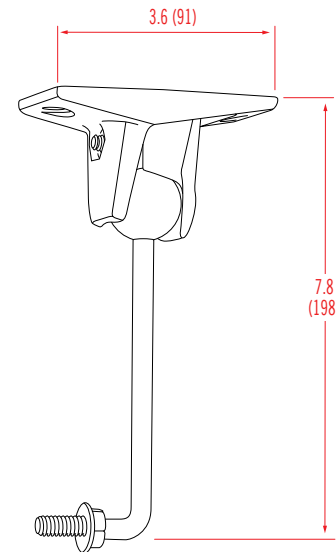


Product Specifications

- Fits most:** Bookshelf speakers
- Supports up to:** 20 lbs (9.1 kg)
- Thread size:** 3/8" - 16
- Base rotation:** 360°
- Pan:** 180°
- Tilt:** +/-30°
- Color:** Black and White

Product Benefits

- Polymer-injected ball controls resonance frequencies for better sound
- Ball and clamp design for greater mounting flexibility
- Includes clamp and jaw
- Stainless steel hardware for strength and durability
- Suitable for all-weather use
- Includes complete hardware kit



	Color	Stock Code	Packaging UPC	MC UPC
Americas	Black	1001081BK	728901007149	728901700644
International	Black	NA	NA	NA
Americas	White	1001081WT	728901007156	728901700651
International	White	NA	NA	NA

	Dimensions WxDxH inches (mm)	Wt lbs (kg)
Product Box	13 x 11 x 2.4 (330x280x60)	1.3 (.6)
Master Carton	13.5 x 11.5 x 9.3 (343x292x235)	6 (2.7)

Box Contents	Qty
Clamp assembly	1
Ceiling ball shaft	1
Polymer ball	1

Box Contents	Qty
Mounting plate	1
Complete installation hardware kit	1
Instruction manual	1