

Thank you for your purchase of the NHT SuperZero Xu minimonitor. Please take a few minutes to read through this Owner's Manual prior to installing your new speakers. The information provided will help you to obtain maximum performance from your audio system. If you have questions or need assistance at any time during the installation or operation of your new speakers, please call your NHT Dealer or our Toll-Free Customer Hotline at:

1-800-NHT-9993

Please retain the SuperZero Xu's packaging to protect the speaker in the event that you move or transport it.

■ Design

NHT loudspeakers are designed to deliver refined, musical sound from attractive and affordable packages. Our efforts are guided by the study of human hearing and are optimized for real-world use. Every NHT speaker undergoes rigorous testing and quality control at the factory to ensure you years of listening pleasure.

For over five years, the award-winning SuperZero has set the industry standard for affordable minimonitor performance. Exemplifying the concept of "less is more," the SuperZero is designed with no revolutionary technologies or fancy parts, just sensible electronic topology and custom-designed drive units. It is this focused simplicity and elegance of design that gives the SuperZero its astonishing clarity and remarkable spaciousness.

The SuperZero Xu ("Xtended use") offers the identical acoustics as the original SuperZero, in a specially designed thermoplastic molded enclosure. To address the growing trend toward wall-mounting, the SuperZero Xu is packaged with a matching XuBracket and features softer lines that allow it to blend unobtrusively with its surroundings. Additionally, its rubber XuBase firmly anchors the speaker to horizontal surfaces, to accommodate shelf, cabinet, or stand mounting.

■ Placement

The SuperZero Xu may be mounted on a wall, shelf, cabinet or on speaker stands. It is designed for indoor use only.

The SuperZero Xu's should be set up as symmetrically as possible, slightly toed-in and equidistant from the listening position. This configuration puts the listener in the center of the stereo image. The drivers should face the listening area without obstruction from furniture.

The SuperZero Xu is designed for wall-mounting with its supplied XuBracket (see "XuBracket"). When installed high on a wall, the speaker should be angled down so that the sound radiates toward the listening area.

The SuperZero Xu may be placed on a shelf or in a cabinet, using the supplied XuBase to rest it firmly on the horizontal surface. For best results, place the speaker flush with the edge of the shelf, and not pushed back. Tilt the speaker on its base so that it fires toward the listening area. If required, rotate the XuBase 180 degrees to tilt the speaker upward. If you wish to place the SuperZero Xu on speaker stands, first place the XuBase on the top plate of the stand, and then place the speaker on the XuBase. Tilt the speaker so that it fires toward the listening area.

When using the SuperZero Xu in a five-channel home theater configuration, it is important to use matching speakers to achieve consistent sound. The appropriate matching center channel is the NHT SuperCenter. You may also mix and match with additional SuperZeros and SuperOnes, in either the wood laminate or molded versions, as well as the SuperTwo tower speaker, as they all share identical tonal properties. For more full-range response, you may add a powered subwoofer, such as the NHT SubOne.

For home theater, it is ideal for all five speakers to be placed equidistant from the listening position. When using a SuperZero Xu as a center channel speaker, it should be placed directly above or below the television, as close to the screen as possible. It may be placed either in the vertical or horizontal orientation. The SuperZero Xu is magnetically shielded and will not distort the picture's color. If possible, all three front speakers in a home theater system should be placed at equal height and at ear level from the listening position.

Experimentation is the key to finding the best arrangement in your particular listening environment. Be patient, have fun and remember that small changes in speaker position can sometimes have a significant effect on the sound.

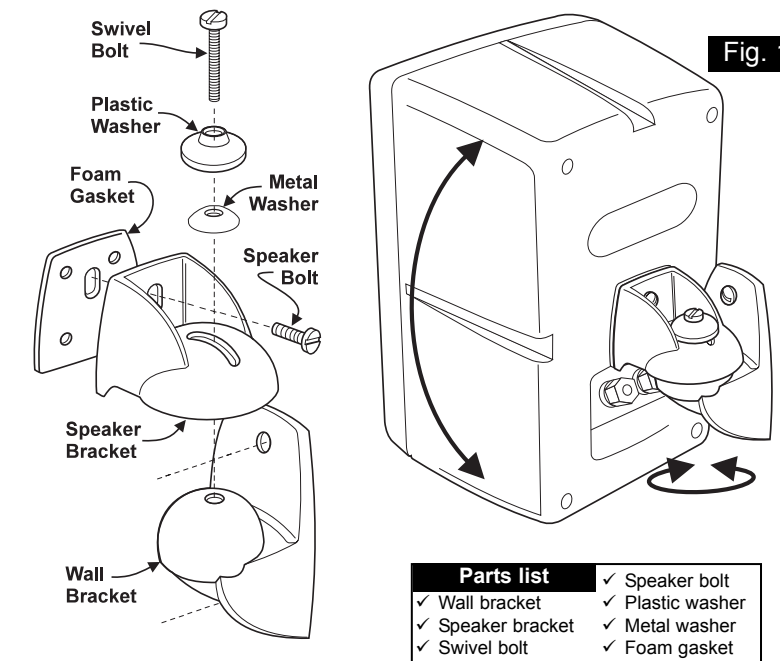
In addition, room furnishings play an important role in absorbing and reflecting soundwaves. Midrange and high frequencies in particular will be absorbed by soft furnishings such as sofas, carpets and curtains. A large number of these soft furnishings will dull the sound, while a "live" room with few furnishings will brighten the sound. If you are willing to spend some time fine-tuning the performance of your system, you will enjoy the benefits for years to come.

■ XuBracket

Before attempting this installation, carefully evaluate the mounting surface, making sure that its composition and construction are strong enough to support the load safely. If you are unsure about the type or use of mounting hardware for your installation, consult a professional contractor or a knowledgeable hardware store. The XuBracket is suitable only for attaching the speaker to walls or ceilings constructed of solid wood, brickwork, concrete, hollow building block, or wood studs. Do not mount the XuBracket to unreinforced plaster or sheetrock (gypsum board).

See fig. 1 for a complete parts list and diagram. Centered on the back panel of the SuperZero Xu, just above the terminal cup, is a threaded insert designed to accommodate the speaker bolt which fastens the XuBracket to the speaker.

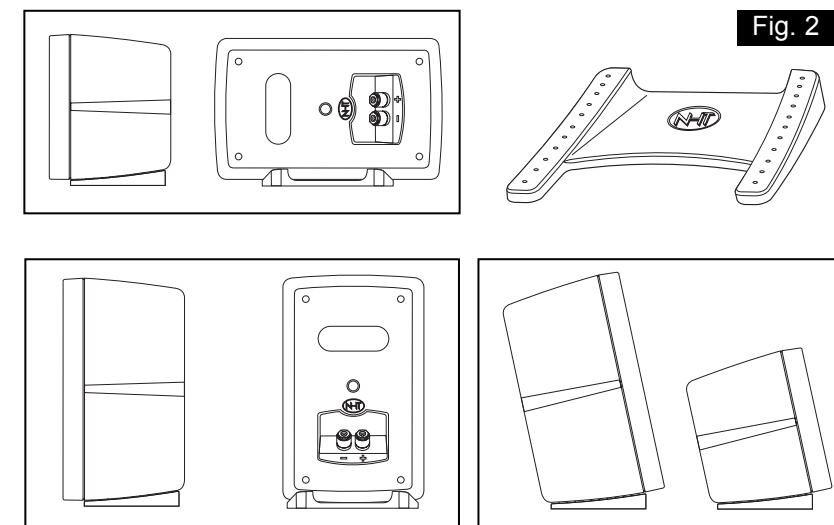
1. Disassemble the wall bracket from the speaker bracket by removing the swivel bolt and washers that hold them together.
2. Attach the foam gasket to the speaker bracket, fitting it around the plastic guide tabs.
3. Attach the speaker bracket (with gasket) to the SuperZero Xu with the speaker bolt. Tighten the speaker bolt with sufficient force to hold it firmly in position.
4. Attach the wall bracket to the wall with the appropriate fasteners and tighten with sufficient force to hold it firmly in place.
5. Re-attach the speaker bracket to the wall bracket using the swivel bolt and washers. The metal washer goes underneath the plastic washer, and both go directly underneath the head of the swivel bolt. Tighten the bolt to a point where it can still be adjusted.
6. Adjust the speaker's angle (see "Placement"). Once optimized, tighten the swivel bolt with sufficient force to hold the XuBracket firmly in position.



■ XuBase

The molded rubber XuBase allows the SuperZero Xu to rest firmly on horizontal surfaces such as shelves, cabinets, or speaker stands. Because the SuperZero Xu's enclosure is designed with identical curvatures on all sides, the speaker may be placed on the XuBase in any orientation (resting on either side, top or bottom panels). See fig. 2 for setup options.

The SuperZero Xu should be tilted on the XuBase so that it radiates sound directly toward the listening position.



SuperZero Xu Specifications

- **System Type:** 2-way, 2 liter acoustic suspension design
- **Driver Complement:** 4.5" long-throw woofer, 1" fluid-cooled soft dome tweeter, video shielded drivers
- **Crossover:** 2.2KHz, 6db/octave high-pass, 12dB/octave low-pass
- **Response:** 85Hz - 25KHz, +/- 3dB
- **Sensitivity:** 86db (2.83V at 1M)
- **Power Rating:** 15W/ch minimum, 100W/ch maximum
- **Impedance:** 8 ohms nominal, 7.5 ohms minimum
- **Inputs:** 5-way binding posts
- **Weight:** 5.2 lbs. each
- **Dimensions:** 9"H x 5.5"W x 4.8"D
- **Finish:** Black or white

Specifications are subject to change without notice, in accordance with our policy of continuously upgrading the performance of our products.

■ Connections

Before connecting speakers to your system, it is important that you turn off the power to your amplifier / receiver to avoid damage to the equipment.

The SuperZero Xu is compatible with virtually all quality amplifiers. Proper wiring of the speakers is essential to good sound. At a minimum, 16AWG speaker cable is recommended for runs of 10 feet or less, with heavier special purpose cable used for longer runs. For specialty cable considerations, consult your local authorized NHT retailer.

For best results, use equal length runs of cable for the left and right speakers. Prepare your speaker cable by stripping 1/4" to 3/8" of insulation from the ends and twisting the exposed wire strands tightly. The five-way binding posts on the back of the speaker will accept bare wire, banana plugs or spade plugs. Tighten the binding posts by hand, as pliers can strip or break them.

Be sure to wire both the left and right speakers "in-phase." That is, the Positive (red) terminal on the amplifier output must be connected to the corresponding Positive (red) terminal on the speaker. Likewise with the Negative (black) terminals. All speaker cables have some sort of marking along one or both conductors to help you make the correct connections. Incorrect speaker phase is indicated by weak bass and the lack of a well-defined stereo image.

To minimize noise pickup, segregate cables by function. Do not run low level signal cables parallel to power cables, speaker cables, or digital cables. Also, do not run speaker cables or digital cables parallel to power cords or parallel to each other. If different types of cables are placed near each other at some place in your system, separate them by the maximum practical distance and cross them at right angles where they meet. Do not twist or tie AC power cords with speaker cables.

■ Operation

The SuperZero Xu was designed to handle a wide range of listening levels, but every speaker has limits. It is important to use common sense and listen for signs of possible distress from the speakers. Underpowered amplifiers are most often the cause of speaker damage. For example, a 60-watt amplifier runs out of power when called upon to produce more than 60 watts, and the resulting distortion can damage the speaker. If you tend to listen at high volume levels, more powerful amplifiers are preferable because they are less likely to run out of power.

Noticeable distortion or harsh breakup is an indication that either your amplifier or your speakers are running beyond their capacity, and the volume should be decreased. If you can feel any heat emanating from the woofer or tweeter, reduce the level immediately. Speaker damage most often occurs from sustained high volume levels, not from transient sounds or brief musical peaks. Excessive boosting of bass, treble or equalizer controls can worsen the problem, and is not recommended.

■ Maintenance

Your speakers require minimal maintenance under normal use. The cabinet may be cleaned using a damp cloth or a foaming upholstery cleaner. Do not use lint cloth or furniture polish. To clean the grille, first remove it from the speaker, then brush lightly with a soft brush or use a vacuum on its lowest setting.

Use caution to avoid dropping the SuperZero Xu, as its enclosure may crack. Do not expose the SuperZero Xu to direct sunlight or high temperatures. Do not expose the speaker to moisture. Do not attempt to clean the actual drivers.



SuperZero



Minimonitor

Owner's Manual

Now Hear This
6400 Goodyear Road
Benicia, CA 94510
800-NHT-9993

Limited Warranty Valid Only in the U.S.A.

Warranty Period

For the period of 5 years for parts and 5 years for labor from date of original purchase (the warranty period) from an authorized NHT dealer. Now Hear This (NHT) warrants that if our product fails to function properly under normal use due to a manufacturing defect when installed and operated according to the owner's manual instructions enclosed with the unit, it will be repaired or replaced with a unit of comparable value at the option of NHT without charge to you for parts or actual repair work. Parts supplied under this warranty may be new or rebuilt at the option of NHT.

What's Not Covered

This warranty does not cover any product which is used in any trade or business, or in an industrial or commercial application.

This warranty does not cover the cabinet or any appearance item, or any damage caused to the product resulting from: alterations, modifications not authorized in writing by NHT, accident, misuse or abuse, damage due to lightning or power surges, or being subjected to power in excess of the speaker's published power rating.

This warranty does not cover the cost of parts which would otherwise be provided without charge under this warranty, obtained from any source other than an authorized NHT service location. This warranty does not cover defects or damage caused by the use of unauthorized parts or labor or from improper maintenance.

Altered, defaced or removed serial numbers void this warranty.

Your Rights

The liability of NHT will be limited to the purchase price of the product, and NHT will not be liable for incidental or consequential damages. NHT limits its obligations under any implied warranties under state laws to a period not exceeding the warranty period. Some states do not allow limitations on how long an implied warranty lasts, and some states do not allow the exclusion or limitation of incidental or consequential damages. The above limitations or exclusions may not apply to you. This warranty gives you specific legal rights, and you may have other rights which vary from state to state.

To Obtain Service

NHT has appointed a number of authorized service companies throughout the USA should your product ever require service. To receive warranty service, you will need to present your sales receipt showing place and date of original owner's transaction.

To find the name and address of the nearest authorized NHT service location, call 800-NHT-9993 or write: NHT, 6400 Goodyear Road, Benicia, CA 94510

Keep this warranty with your sales receipt.
Record date and place of purchase for future reference.